

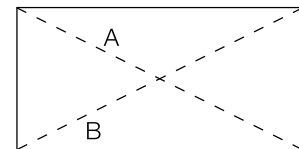
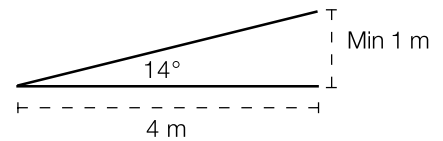
Elegant

INSTALLATION GUIDE

1. Control of roof

Borga Elegant can be installed on roofs with min 14° (1:4) pitch.

Make sure the roof area is square by measuring diagonally. A tolerance of 20 -30 mm can be hidden by the Gable trim, if it is more the construction need to be corrected. The roof area shall be flat.

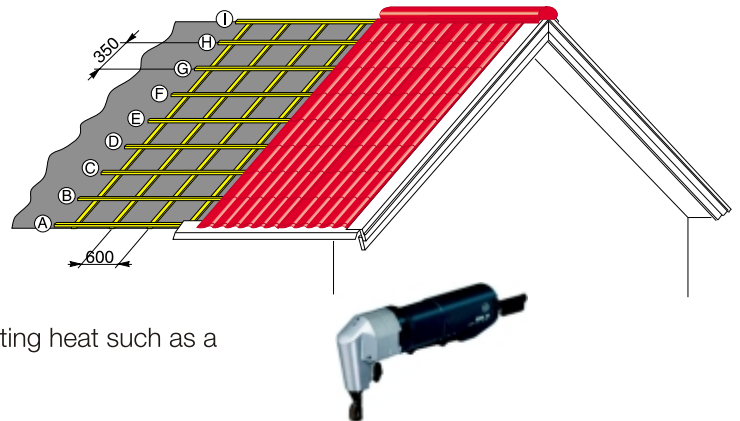


The roof is square if A=B

1. Rafters

When using tarpaper, as underroof, on wood panel of min 17 mm wood, use support girder 25 x 25 mm at max 600 mm distance. As rafters use 25 x 50 mm at a center/centre distance of 350 mm. Install first rafters at eave.

When using board or plastic foil as under roof, use 45 x 70 mm as rafters.



1. Cutting

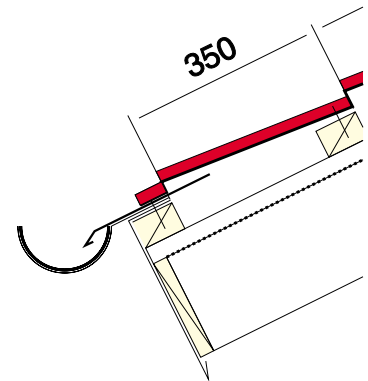
If the sheets needs to be cut only use tools not creating heat such as a nibbling machine.

1. Installation of gutter hooks

See Borga detailed installation guide for Rainwatersystem or down load from www.borga.se.

1. Installation of eave trim

The Eave trim purpose is to lead rainwater from the roof down into the gutter and to prevent water, leaves and snow to blow up under the sheets. The eave trim will also protect the firts rafter from rainwater.



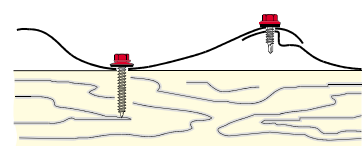
1. Installation

Borga Elegant shall be installed right to left, from down and up. Make sure first sheet end is linear with eave.



1. Fastener installation (A12 4,8 x 35)

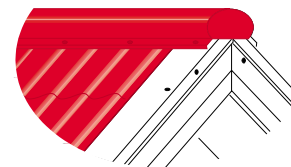
Borga Elegant is installed with a fastener in every profile bottom at ends and at sideoverlap, inbetween one fastener at every other profile bottom and at sideoverlap, inbetween one fastener at every other profile bottom and every other rafter shall be installed. Approximate usage is 7 ea/m².



8. Overlap fasteners (D14 4,8 x 19)

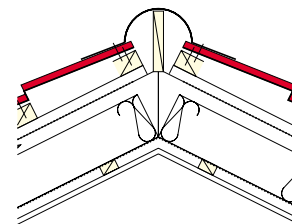
When installing overlap fasteners the sheets are locked together, installation shall be made at the profile top. Approximate usage 2 ea/m².

The fastener D14 is used for installation of trims as well.



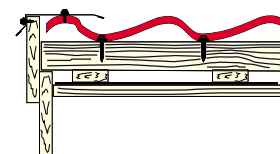
9. Ridge cap

In case of a not straight ridge, the installation will be easier installing also a ridge board. Do not forget to install closure strips and ridge cap ends.



10. Gable trim

Install with approx 500 mm in between fasteners. Overlap with min 100 mm, do not put a fastener in the overlap.



11. After installation

Be careful to take away all metal particles to prevent these to rust and miscolor the roof. Possible damages to the paint shall be fixed with touch up paint. Cut edges can also be painted to increase life expectancy on the sheets.

12. Walking on the roof?

The installation shall be planned so that walking on installed sheets can be avoided. If however it is absolutely necessary, walking shall be done in bottom of profile with clean shoes and soft sole.

13. Protective film

If the sheets are delivered with protective film it shall immediately be taken of at the stage of installation. Also valid for trims.

